

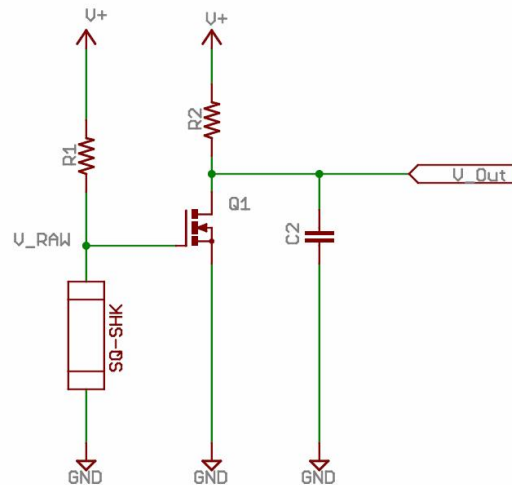
### APPLICATION NOTE: PULSE STRETCHER

#### APPLICATIONS

- Pulse Stretcher for SQ-SHK

#### HIGHLIGHTS

- Low power (1.1µA at rest with 3.3V power supply)
- Components cost ~ \$0.03 at 10K volume



#### EXAMPLE OUTPUT

##### CASE 1:

$V+ = 3.3V$

$R1 = 3\text{ M}\Omega$

$R2 = 1\text{ M}\Omega$

$C2 = 1\text{ }\mu\text{F}$

$Q1 = 2N7000$  (THROUGH HOLE) OR  $2N7002$  (SMT)

